

# 55 inch

**Dual-Side Slim Screen  
Ceiling Solution**

**SCREEN**  
**solutions**



# 55 inch Dual-Side Slim Screen Ceiling Solution

The eye-catching Dual Side Slim Screen Ceiling Solution has a sophisticated design thanks to its super slim plexiglass housing. The ceiling mounting solution is available for landscape or portrait display and contains two 4K resolution LCD screens.

The content can be played in sync with one media player or play different content with two separate media players.

This construction fits not only perfectly in a store window space where wall mounting is not possible but on the high ceiling of a superstore as well.

# 55 inch Dual-Side Slim Screen Ceiling Solution

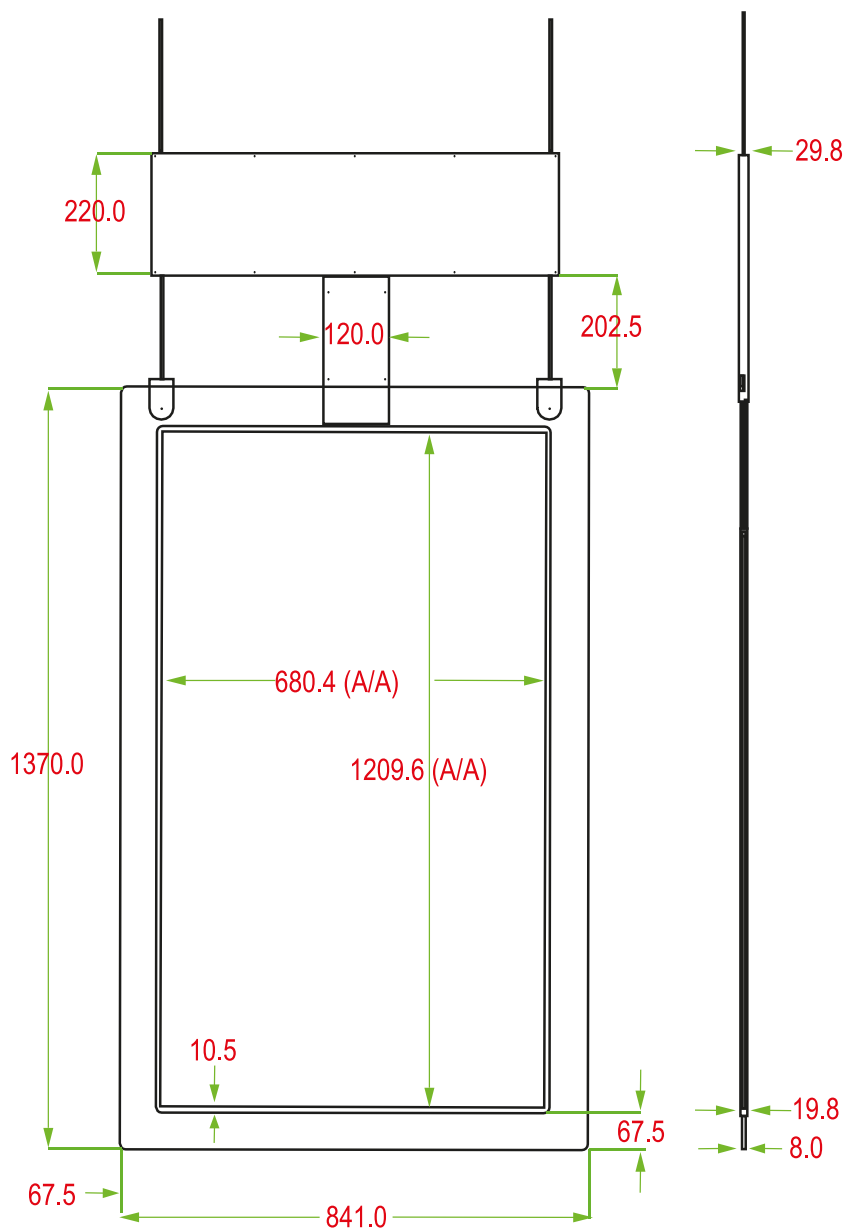


## Features

- ✓ Super slim
- ✓ Dual-sided
- ✓ Landscape and Portrait
- ✓ 1920\*1080 / 4K resolution
- ✓ Displaying content in sync or different content
- ✓ Sophisticated design

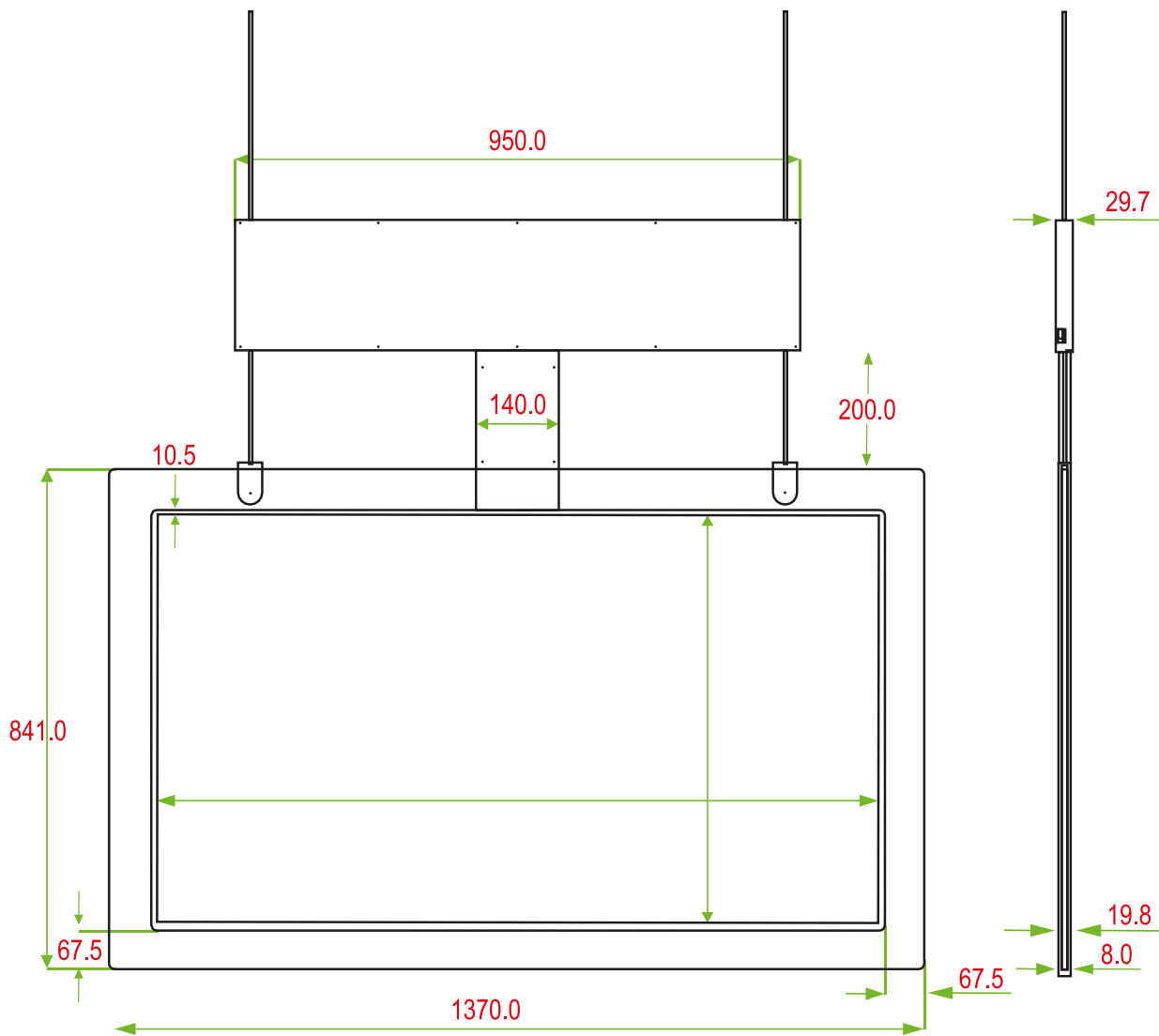
# 55 inch Dual-Side Slim Screen Ceiling Solution

Technical drawing portrait



# 55 inch Dual-Side Slim Screen Ceiling Solution

Technical drawing landscape



# 55 inch Dual-Side Slim Screen Ceiling Solution

## Specifications

Screen	Size	55 inch TFT LCD
	Resolution	1920*1080
	Brightness	350-700nits optional
	Aspect Ratio	16:9 (landscape) / 9:16 (portrait)
	Viewing Angle	178°
Interface	Input Interface	HDMI-in*1, USB 2.0*2, TF card slot*1
	Output Interface	Video signal*2 ( for dual screens), IR receiver*1, Audio-out*2 (speaker 2*5W)
Power	Power Supply	AC 100-240V, 50/60Hz
	Consumption	Max. 145W
	Working Temperature	0°C~50°C
	Working Humidity	5%~90%

# Contact

Oostplein 424  
3061 CH  
Rotterdam  
The Netherlands

+31 (0)10 412 03 13  
[info@screensolutions.nl](mailto:info@screensolutions.nl)  
[www.screensolutions.nl](http://www.screensolutions.nl)

**SCREEN**  
**solutions**